

A U T O T E C H

SPORT TUNING

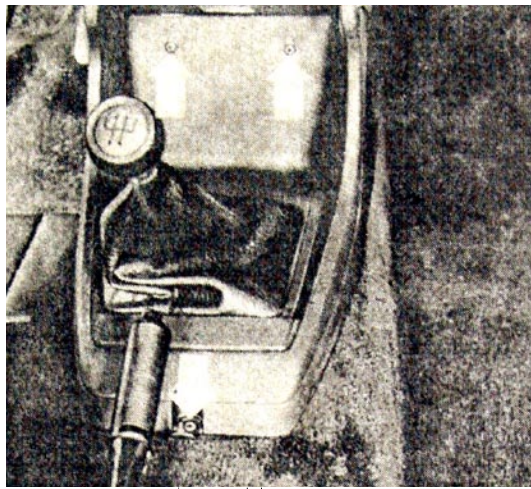
Installation Instructions

www.autotech.com

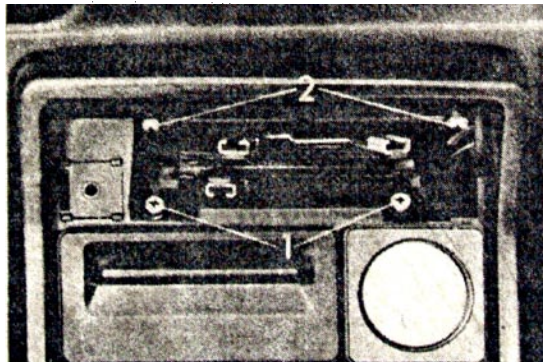
- Part Number:** 10.864.102K
Description: Gauge Panel for Scirocco 2
Notes: This anodized aluminum panel holds 3 standard 52mm (2 1/16") gauges in the original and ashtray location. It is held to the console from behind, using standard VDO gauge holding clamps. If your gauges use VDO's Spin-Lok® mounting system, the Spin-Lok® setup on the left most (driver's side) gauge position should be replaced with a standard VDO clamp. Autotech part number 99.919.600.402 converts a Spin-Lok® gauge to the standard clamp.

Procedure:

1. On the heating/ventilation control head, pull off the temperature control knobs, face plate, and dash light. Then remove the three screws that retain the lower console (see illustration 1 on page 2).
2. Remove the radio.
3. Remove the two screws on each side of the console, and the two screws in the compartment just below the radio (see illus 2).
4. Pull back on the lower console, but do not remove it. Lift up on the upper console, and pull away. Unplug all wire harnesses, and remove the upper console from the car.
5. Using a file, remove the entire plastic backing of the ashtray housing. File the ashtray guides flush with the edge of the console (illus. 3).
6. File off the lip on the top edge of the ashtray hole.
7. Mount one gauge in the center hole of the AUTOTECH panel, then place in the console.
8. Install the right most gauge, so that the U-shaped clamp is bent outward in order to grab the edge of the console, holding the gauge and panel in place.
9. Do the same for the left most gauge. If your VDO gauge uses Spin-Lok® mounting, you must change to the U-clamp setup from VDO (Our part number 99.919.600.402).
10. Wire the gauges as instructed by VDO.
11. Re-assemble the console in reverse order of removal.

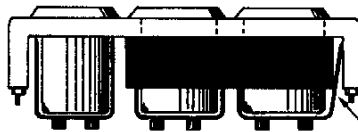


1. Arrows above indicate the three screws that need to be removed in order to slide lower console rearward.



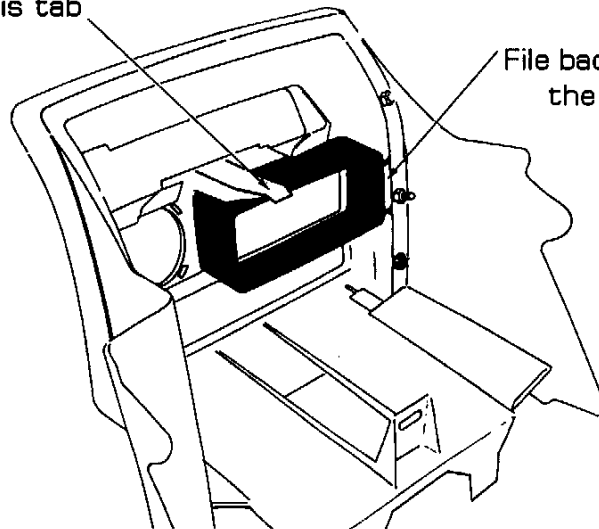
2. Screws (1&2) that hold upper console in place.

3.



Bend the U-clamp to grab the console edge.

Keep this tab



File back of "pocket" flush with the console back.