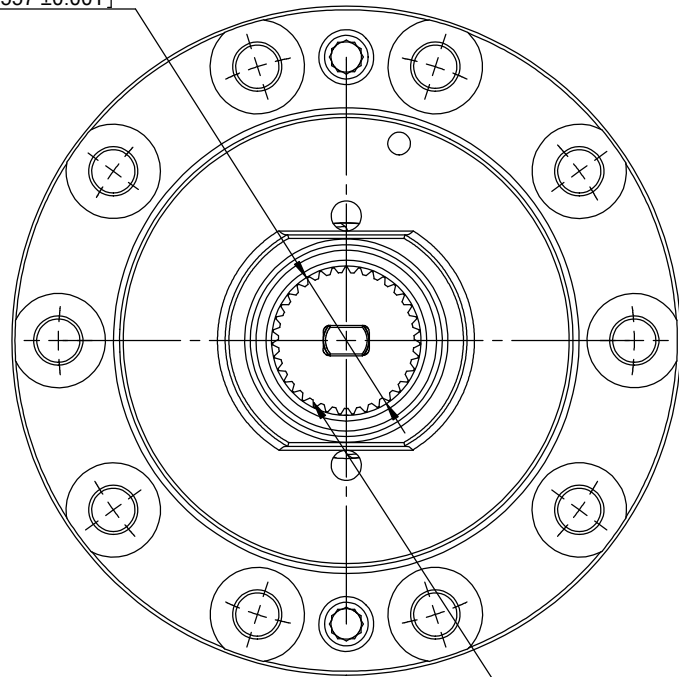
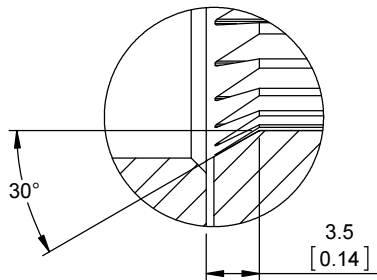
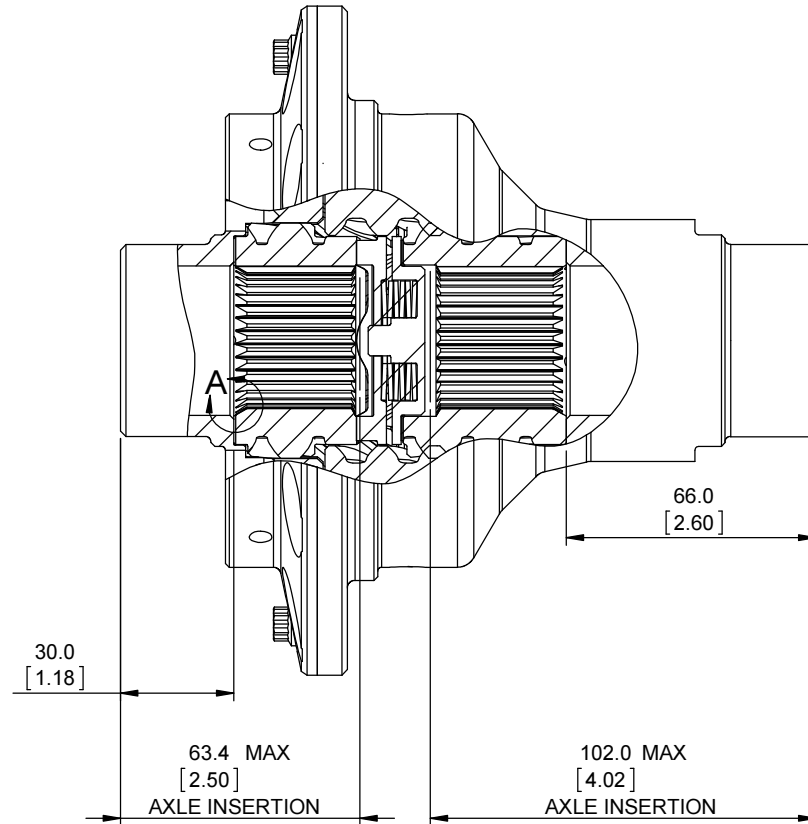


∅39.55 ±0.02
[1.557 ±0.001]



INVOLUTE SPLINE
PER ANSI B92.1 CLASS 5
FILLET ROOT SIDE FIT
35 TEETH
24/48 PITCH
30° PRESSURE ANGLE



DETAIL A
SCALE 2 : 1

DEFAULT TOLERANCES UNLESS OTHERWISE SPECIFIED	
X.X	±0.30 [.012]
X.XX	±0.05 [.002]
ANGLES	±2°

ALL DIMENSIONS IN: MILLIMETERS [INCHES]	
UNDIMENSIONED FEATURES: RADIUS: 0.4 - 1.0 [.015 - .040] CHAMFER: 1.0 [.040] X 45° MAX SURFACE FINISH: 3.2 µm [125 µin]	

REV	DESCRIPTION	DATE
H	DUAL DIMENSIONED	05/17/13
G	WAS 140, 22	08/22/12
F	ADDED BEARING PULL	07/26/10

PROPRIETARY AND CONFIDENTIAL
THE INFORMATION CONTAINED IN THIS DRAWING IS THE SOLE PROPERTY OF AUTOTECH SPORT TUNING CORPORATION. ANY REPRODUCTION IN PART OR AS A WHOLE WITHOUT THE WRITTEN PERMISSION OF AUTOTECH SPORT TUNING CORPORATION IS PROHIBITED.

	Autotech Sport Tuning Corporation 29 Journey Aliso Viejo, CA 92656-3333 USA +1-949-362-8700	
	DWG. SIZE	REL.
A	PART NUMBER 133-01C-003	
	DESCRIPTION DIFFERENTIAL	
SCALE: 1:2		SHEET 2 OF 2