



Autotech Sport Tuning Corporation
 29 Journey • Aliso Viejo, CA 92656-3333 USA
 Tel +1 949 362 8700 • Fax +1 949 362 8720
 info@wavetrac.net • www.wavetrac.net

INSTALLATION NOTES

10.309.185WK
 10.309.186WK
 10.309.187WK
 10.309.188WK

VOLKSWAGEN GROUP 02E (DSG)



READ BEFORE STARTING INSTALLATION!

PARKING BRAKE TOOTHED RING DIFFERENCES:

The differentials in Volkswagen 02E series dual clutch transmissions (DSG) feature a toothed ring on the body that is engaged by a claw when shifted to "park," acting as the parking trans-brake does in automatic transmissions.

There have been two styles of this toothed ring used in the DSG over the years. The early (coarse) ones have 20 teeth, while the late (fine) ones have 25 teeth.

Before fitting the Wavetrac®, verify that it has the matching toothed ring as your original differential. Do not install anything (bearings, ring gear, etc.) on the Wavetrac® before checking this!

If the Wavetrac® does not match tooth for tooth with your stock unit, contact us to arrange an exchange, which can be done without cost to you as long as you haven't fitted the Wavetrac®.

tel: +1 949 362 8700
email: tech@wavetrac.net

The drawings on the following pages illustrate what the differences are between Wavetrac models.

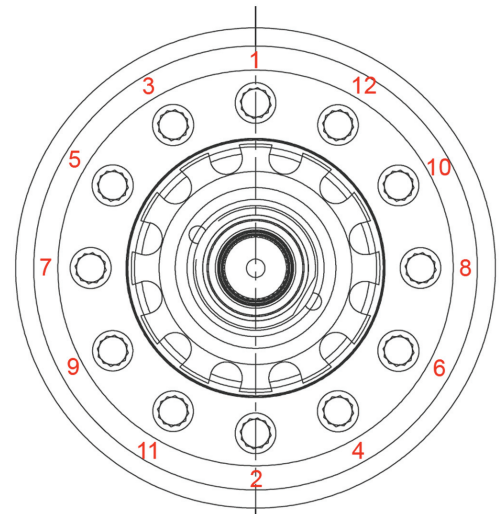
RING GEAR BOLT TORQUE SETTINGS:

Wavetrac® differentials for DSG models come with ARP® ring gear bolts included.

As with most other VW applications, the oem diff and ring gear are riveted together, so drilling out the rivets is required for disassembly.

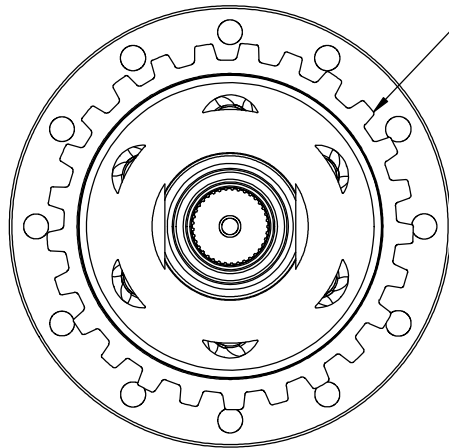
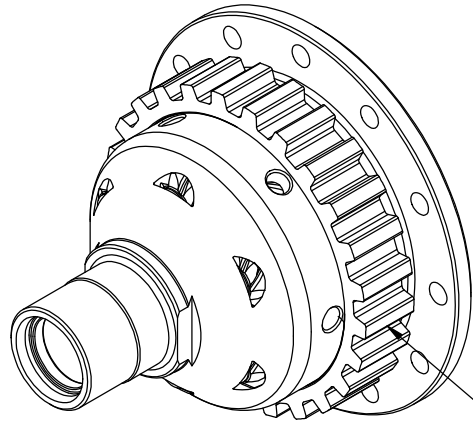
For installation of the ring gear on the Wavetrac®:
 Tighten in an alternating pattern for stress free mounting of the ring gear.

Torque bolts to 85 ftlbs (115Nm) using loctite 242



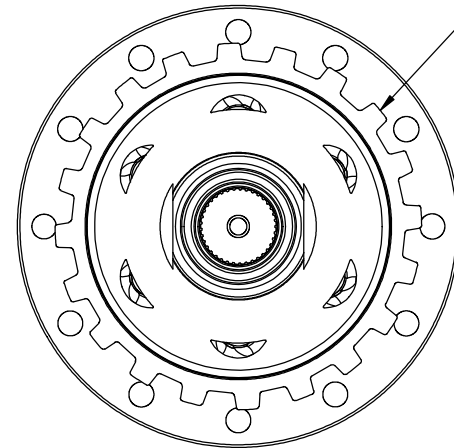
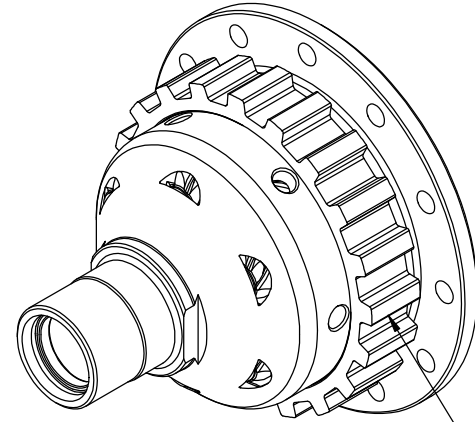
DSG 2WD VARIANTS

10.309.187WK



25 TEETH

10.309.185WK



20 TEETH

DEFAULT TOLERANCES
UNLESS OTHERWISE SPECIFIED

X.X ±0.30 [.012]
X.XX ±0.05 [.002]
ANGLES ±2°

ALL DIMENSIONS IN:
MILLIMETERS [INCHES]

UNDIMENSIONED FEATURES:
RADIUS: 0.4 - 1.0 [.015 - .040]
CHAMFER: 1.0 [.040] X 45° MAX
SURFACE FINISH: 3.2 µm [125 µin]

A	RELEASED TO PRODUCTION	12/17/12
REV	DESCRIPTION	DATE
PROPRIETARY AND CONFIDENTIAL		
THE INFORMATION CONTAINED IN THIS DRAWING IS THE SOLE PROPERTY OF AUTOTECH SPORT TUNING CORPORATION. ANY REPRODUCTION IN PART OR AS A WHOLE WITHOUT THE WRITTEN PERMISSION OF AUTOTECH SPORT TUNING CORPORATION IS PROHIBITED.		

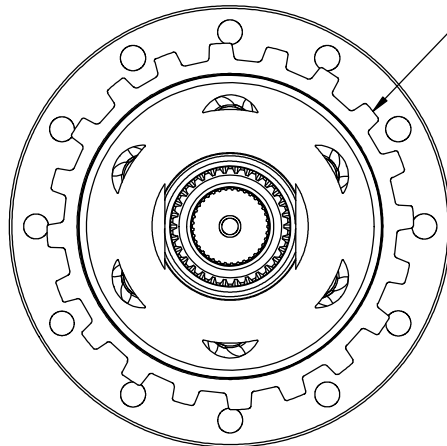
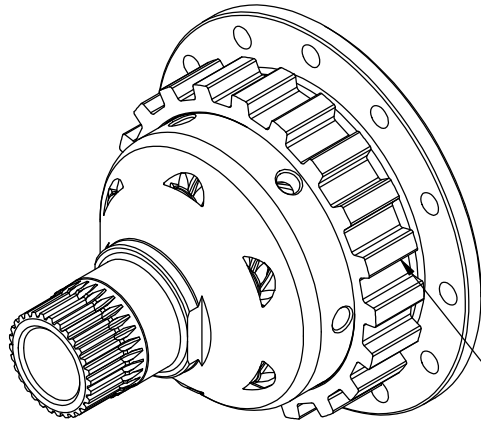


Autotech Sport
Tuning Corporation
29 Journey
Aliso Viejo, CA
92656-3333 USA
+1-949-362-8700

DWG. SIZE	PART NUMBER	REL.
A	248-01R-002	A
DESCRIPTION		
DIFF VARIANTS		
SCALE: 1:3		SHEET 1 OF 1

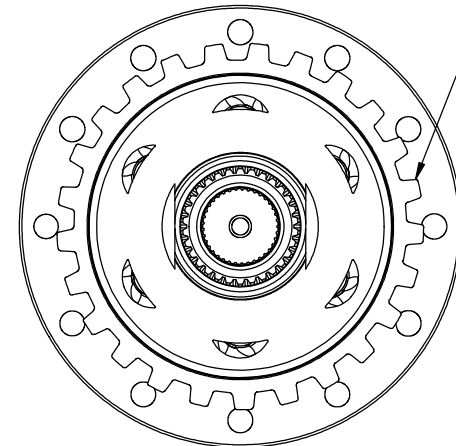
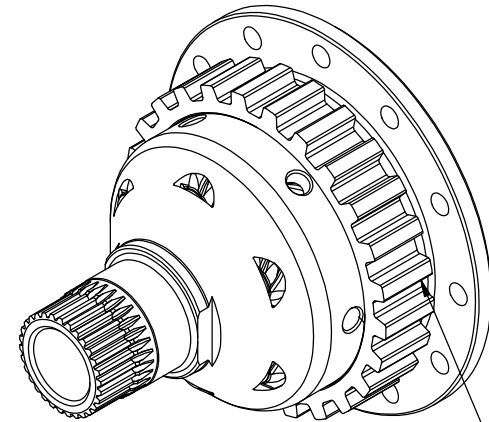
DSG AWD VARIANTS

10.309.188WK



20 TEETH

10.309.188WK



25 TEETH

DEFAULT TOLERANCES
UNLESS OTHERWISE SPECIFIED

X.X ±0.30 [.012]
X.XX ±0.05 [.002]
ANGLES ±2°

ALL DIMENSIONS IN:
MILLIMETERS [INCHES]

UNDIMENSIONED FEATURES:
RADIUS: 0.4 - 1.0 [.015 - .040]
CHAMFER: 1.0 [.040] X 45° MAX
SURFACE FINISH: 3.2 µm [125 µin]

A	RELEASED TO PRODUCTION	12/17/12
REV	DESCRIPTION	DATE

PROPRIETARY AND CONFIDENTIAL

THE INFORMATION CONTAINED IN THIS DRAWING IS THE SOLE PROPERTY OF AUTOTECH SPORT TUNING CORPORATION. ANY REPRODUCTION IN PART OR AS A WHOLE WITHOUT THE WRITTEN PERMISSION OF AUTOTECH SPORT TUNING CORPORATION IS PROHIBITED.



Autotech Sport
Tuning Corporation
29 Journey
Aliso Viejo, CA
92656-3333 USA
+1-949-362-8700

DWG. SIZE	PART NUMBER	REL.
A	248-01R-001	A
DESCRIPTION		
DIFF VARIANTS		
SCALE: 1:3		SHEET 1 OF 1